

# DAMMED IF YOU DON'T

## PROVEN WAYS TO PREVENT & FIX ICE DAMS

Icicles may be a sign you have an ice dam.



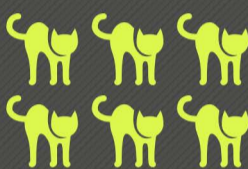
### HOW THEY FORM

- Ice dams form when snow on a roof is heated by **warm attic air**, causing the snow to melt.
- Water runs down the roof, reaches the colder roof edge and refreezes, forming a **mound of ice**.
- This dam of ice prevents **melting snow** from draining off the roof into the gutter system.



### FUN FACT:

A typical ice dam can weigh thousands of pounds. One cubic foot of ice weighs 57 pounds, or the weight of about 6 average domestic cats.



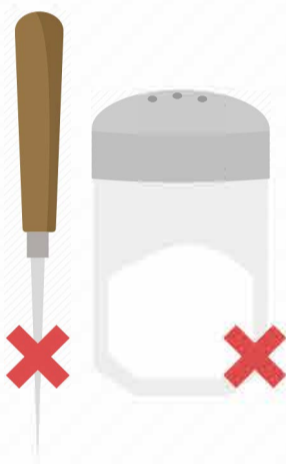
### REMOVING ICE DAMS

Fill a nylon stocking with calcium chloride ice melt. Place it vertically or horizontally across the ice dam to melt a channel through the dam.

Use calcium chloride **NOT** rock salt. Rock salt will damage your roof.

Hire an ice dam removal service with steamers.

**DO NOT** – Clear an ice dam using an axe, ice pick or other sharp implement. Doing so could damage your roof



### PREVENTING ICE DAMS

A warm roof melting the snow leads to ice dams. Here are a few ways to prevent this process.

1. Use a roof rake to reach your roof and keep it snow-free by routinely raking the snow off.

**Caution:** Snow can come off the roof like an avalanche and fall right on top of you!

2. Hire a roofing company that offers snow removal service.
3. Cool down your attic. Make sure your attic floor is adequately insulated to prevent too much heat from escaping from the interior and rising to the roof. Add ventilation to both the attic space and soffits.

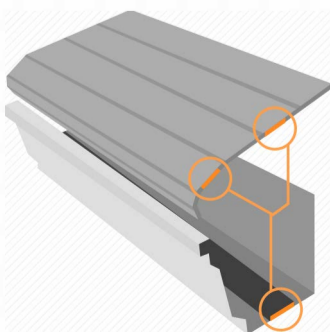


### A SMART OPTION: Helmet Heat® Ice Reduction System

The ultimate solution to problems caused by the buildup of snow and ice in your gutters.

#### Helmet Heat® System Features:

1. Heavy-duty, self-regulating heat cable.
2. Installed inside Gutter Helmet® gutter covers for a clean finish.
3. Reduces ice build-up at the edge of the roofline.
4. Prevents ice from forming inside gutters and downspouts.



Call Gutter Helmet Today at 419-475-0000  
or visit [www.GutterHelmetToledo.com](http://www.GutterHelmetToledo.com)